

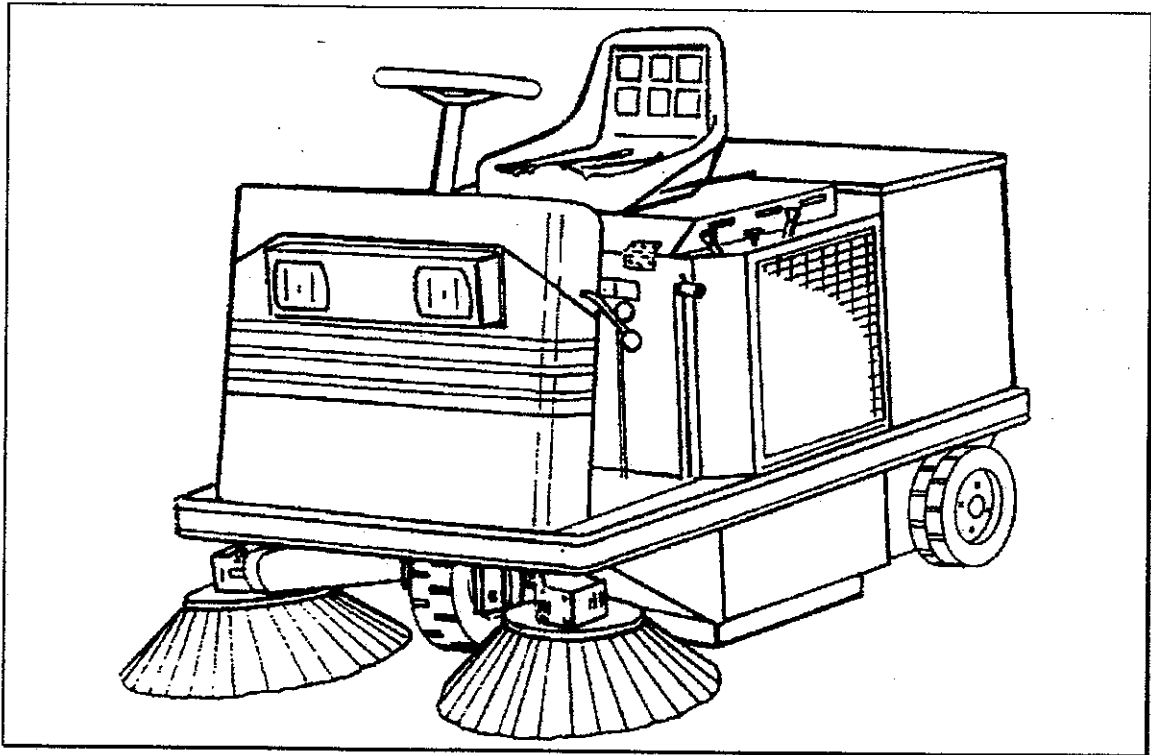
Minuteman[®]

PowerBoss[®]

PROWLER

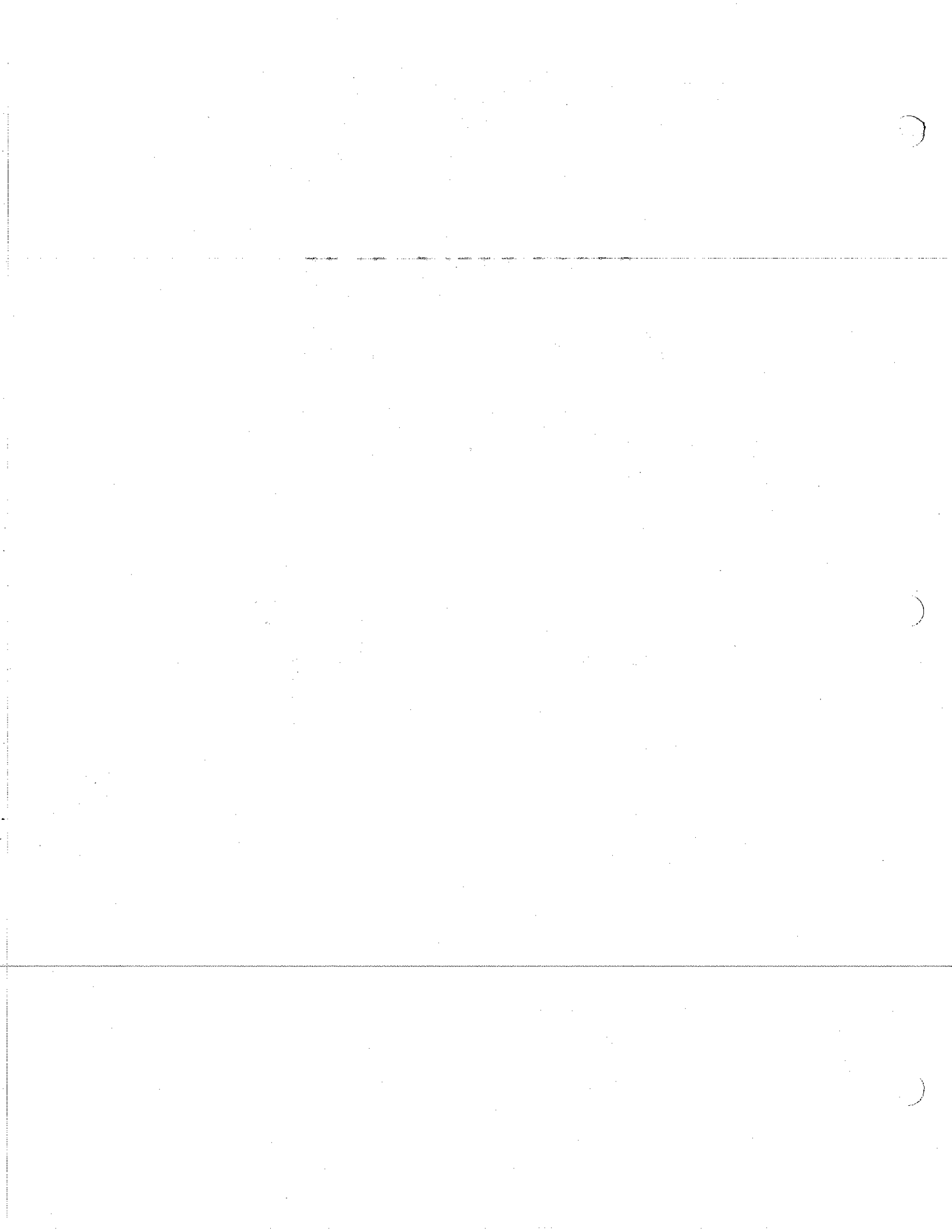
Parts Manual

MODEL RS 55



Minuteman[®] PowerBoss[®]

*P.O. Box 1227 175 Anderson Street
Aberdeen, NC 28315-1227 USA
(910) 944-2105 FAX: (910) 944-7409*



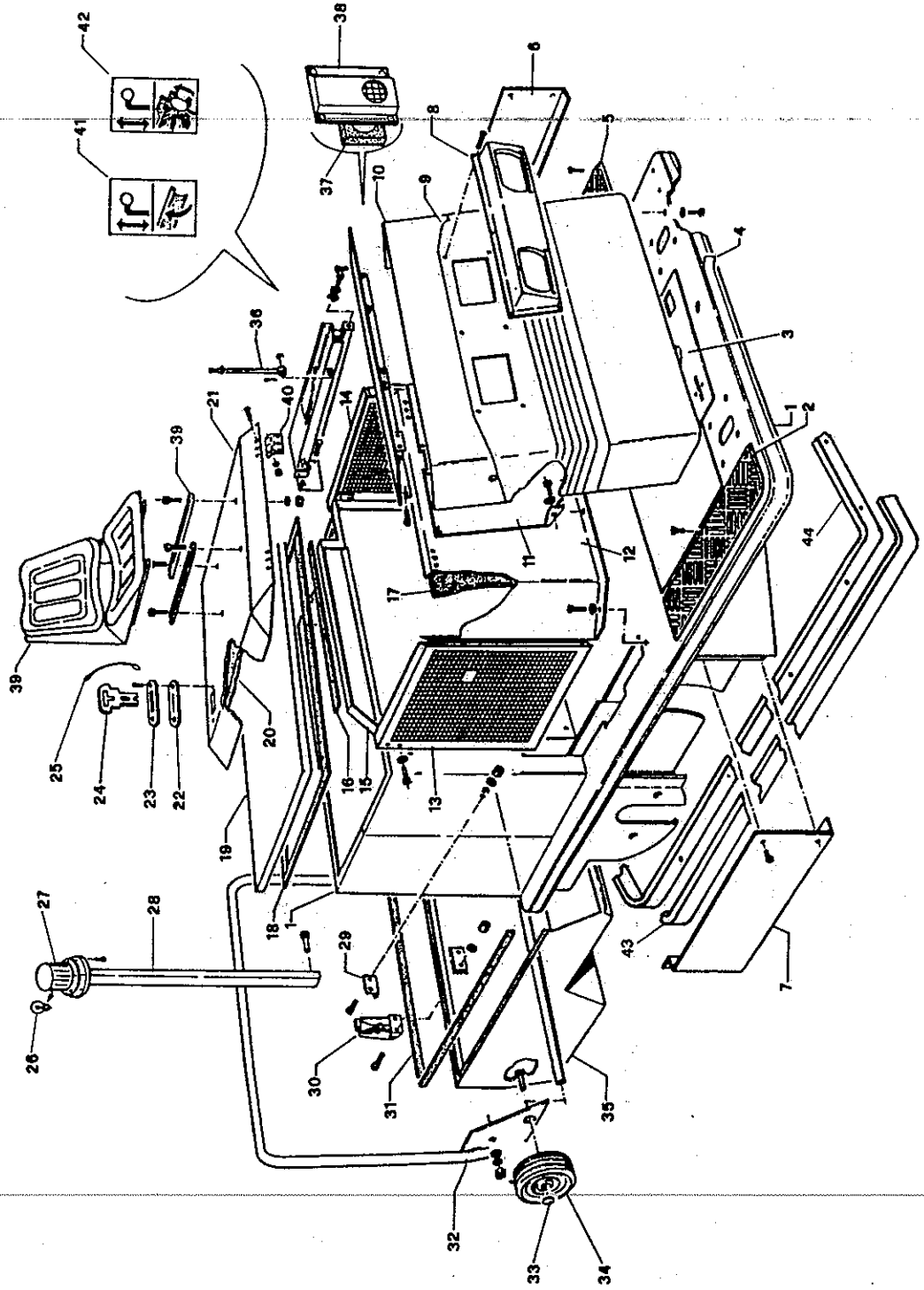


DIAGRAM 1

RS 55

96/10/8

Ref. N°	Part. N°	Description	Briggs & Stratton Qty	Electric Qty
1	1000294	Chassis	1	1
2	1000036	Footboard Right	1	1
3	1000714	Floor Mat	1	1
4	1000887	Decal	1	1
5	1000037	Footboard Left	1	1
6	1000146	Cover Plate - LH	1	1
7	1000145	Cover Plate - RH	1	1
8	1000620	Lights Front	1	1
9	1000888	Decal - Front Panel	1	1
10	1000295	Front Hood	1	1
11	1000621	Cover - Front Hood	1	1
12	1000212	Front Cover - Engine Compartment	1	1
13	1000327	Hood Panel - RH	1	-
13	1000328	Hood Panel - RH	-	1
14	1000326	Hood Panel - LH	1	-
14	1000329	Hood Panel - LH	-	1
15	1000213	Support - Engine Cover	1	1
16	1000738	Washer	1	1
17	1000735	Washer	1	-
18	1000737	Washer	1	1
19	1000142	Filter Box Lid	1	1
20	1000736	Washer	1	-
21	1000143	Engine Cover	1	-
22	1000724	Spacer - Safety Key	1	1
23	1000103	Plate - Safety Key	1	1
24	1000102	Safety Key	1	1
25	1001010	Wire Rope	1	1
26	1001169	Bulb 12V	R	R
26	1001170	Bulb 24V	R	R
27	1001171	Flashing Lamp 12V	1	-
27	1001173	Flashing Lamp 24V	-	1
28	1000253	Light Mount	1	1
29	1001015	Keeper - Overcenter Latch	1	1
30	1001014	Latch - Over Center	1	1
31	1000733	Washer	1	1
32	1000366	Handle - Hopper	1	1
33	1001044	End Cap	2	2
34	1000844	Wheel	2	2
35	1000281	Hopper	1	1
36	1000528	Prop Rod	1	1
37	1000771	Washer	1	1
38	1000269	Panel - Air Intake	-	1
38	1000268	Screen - Air Intake	1	-
39	1001029	Driver's Seat	1	1
40	1001028	Hinge	2	2
41	1000885	Decal - Hopper Flap	1	1
42	1000886	Decal - Main Broom	1	1

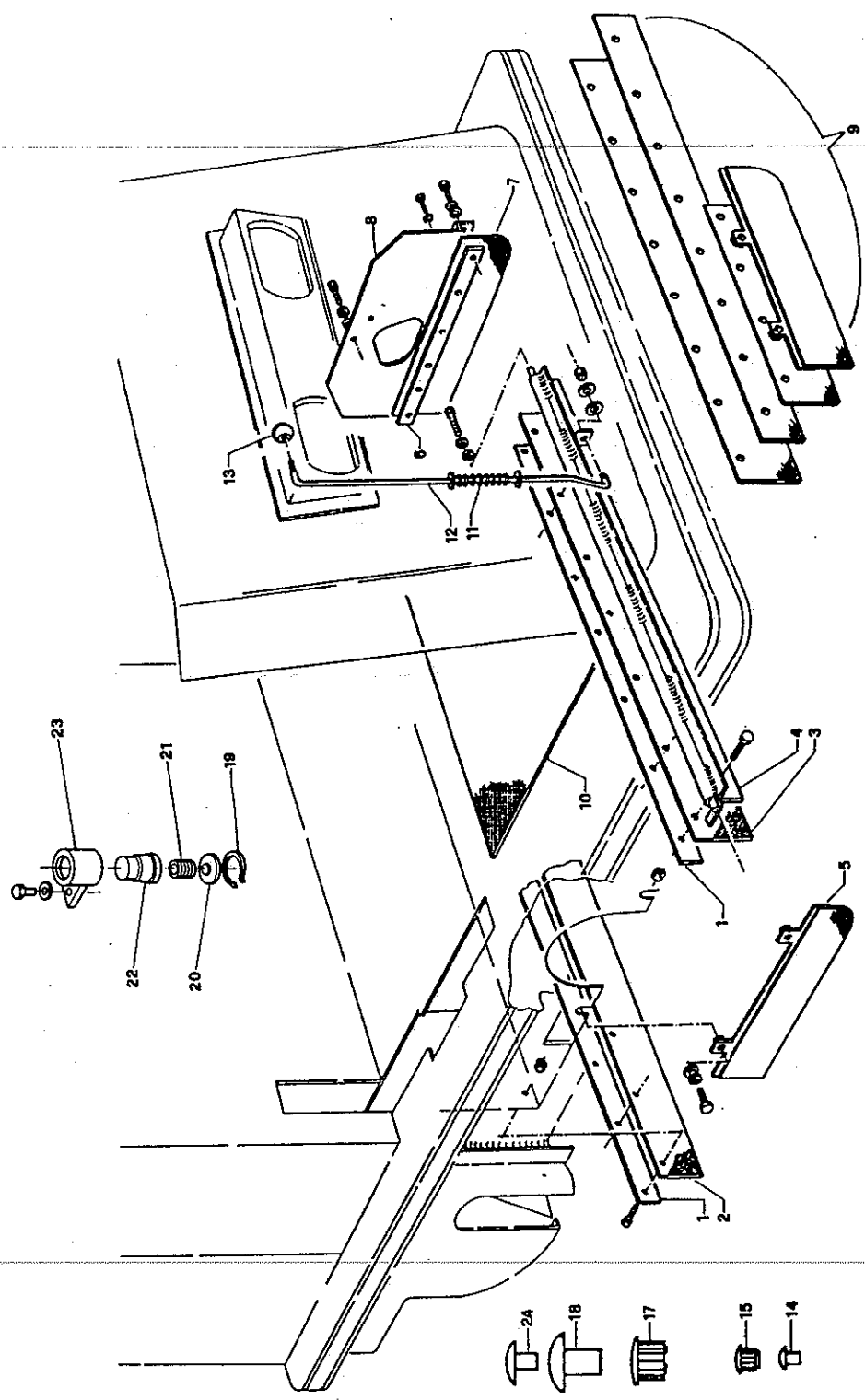


DIAGRAM 2

RS 55

96/10/10

Ref. N°	Part. N°	Description	Briggs & Stratton Qty	Electric Qty
1	1000017	Strap - Rear Flap	2	2
2	1000712	Flap - Main Broom Rear	1	1
3	1000726	Flap - Main Broom Front	1	1
4	1000297	Shaft - Pivot Bar Front Flap	1	1
5	1000728	Flap - Main Broom RS	1	1
6	1000018	Strap - Flap LH	1	1
7	1000715	Flap - Main Broom LS	1	1
8	1000024	End Plate - Main Broom	1	1
9	1000867	Rubber Flaps Kit	R	R
10	1000714	Floor Mat	1	1
11	1000947	Spring	1	1
12	1000529	Bar	1	1
13	1000673	Knob	1	1
14	1000667	Rubber Plug	-	2
15	1000666	Rubber Plug	2	5
17	1000692	Rubber Plug	2	2
18	1000665	Rubber Plug	6	6
19	1001218	Retainer - Snap Ring	1	1
20	1000477	Seal - Hopper Rim	1	1
21	1000969	Spring	1	1
22	1000476	Spring Piston	1	1
23	1000352	Support	1	1
24		Rubber Plug	-	4

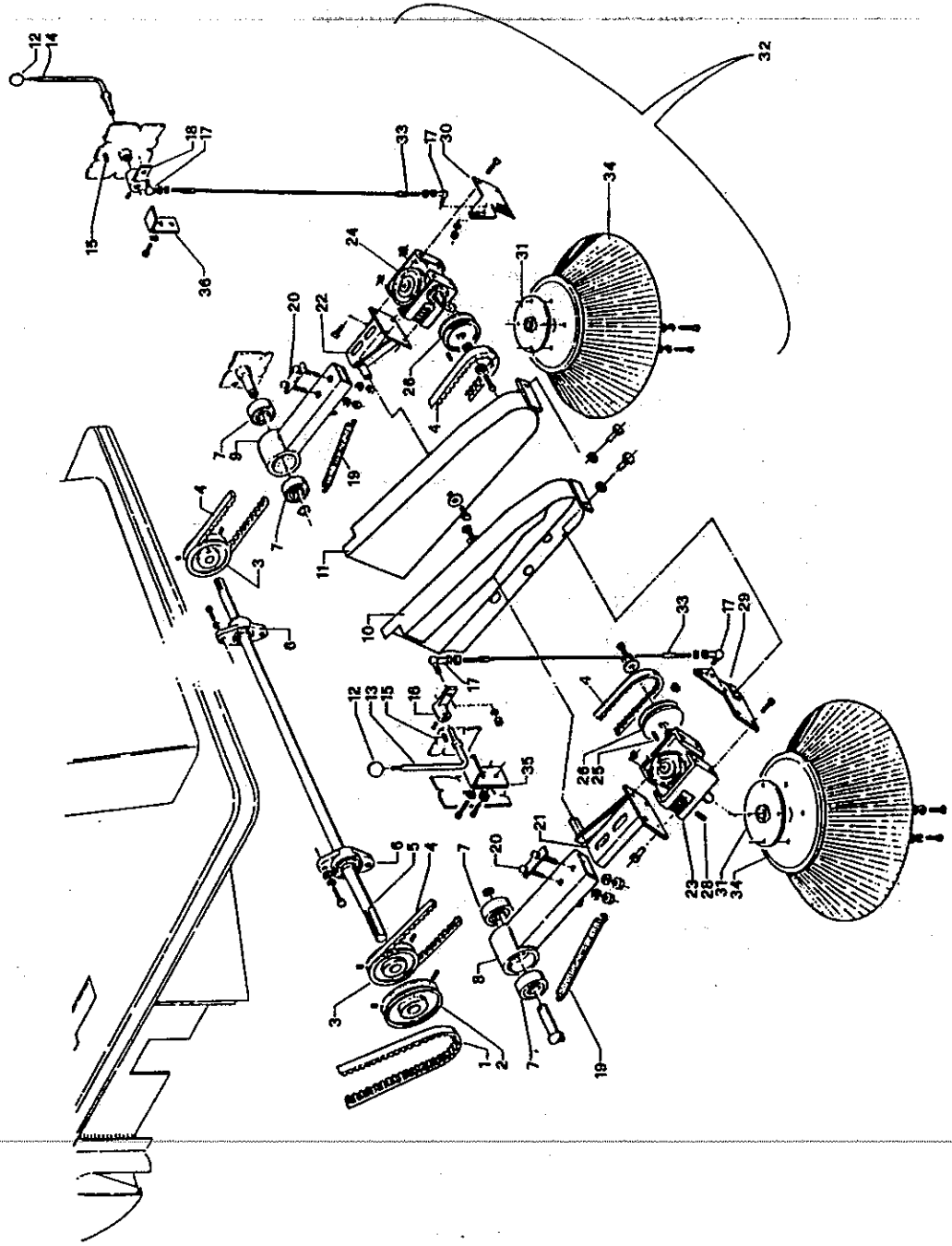


DIAGRAM 3

RS 55

96/10/8

Ref. N°	Part. N°	Description	Briggs & Stratton Qty	Electric Qty
1	1000833	Belt	1	1
2	1000588	Pulley	1	1
3	1000583	Pulley	1	1
4	1000818	Belt	1	1
5	1000504	Shaft	1	1
6	1000804	Support	2	2
7	1000787	Bearing	2	2
8	1000298	Curb Broom Arm RH	1	1
9	1000299	Curb Broom Arm LH	1	1
10	1000173	Belt Guard RH	1	1
11	1000174	Belt Guard LH	1	1
12	1000675	Knob - Curb Broom Lift	1	1
13	1000505	Lift Lever - Curb Broom RH	1	1
14	1000506	Lift Lever - Curb Broom LH	1	1
15	1001223	Key	1	1
16	1000301	Lift Arm - Curb Broom RH	1	1
17	1001030	Ball Joint	2	2
18	1000302	Lift Arm - Curb Broom LH	1	1
19	1000843	Spring	1	1
20	1000147	Retainer - Curb Broom Arm	1	1
21	1000171	Mount - Curb Broom Drive RH	1	1
22	1000172	Mount - Curb Broom Drive LH	1	1
23	1000925	Drive - Curb Broom RH	1	1
24	1000926	Drive - Curb Broom LH	1	1
25	1001222	Key	1	1
26	1000586	Pulley	1	1
27	1000818	Belt	1	1
28	1001219	Key	1	1
29	1000175	Cover - Curb Broom Drive RH	1	1
30	1000176	Cover - Curb Broom Drive LH	1	1
31	1000300	Drive Hub - Curb Broom	1	1
32	1000868	Kit Left Side Brush	R	R
33	1001051	Cable	1	1
34	1000916	Side Brush	1	1
35	1000038	Stop - Curb Broom Lift Arm RH	1	1
36	1000039	Stop - Curb Broom Lift Arm LH	1	1

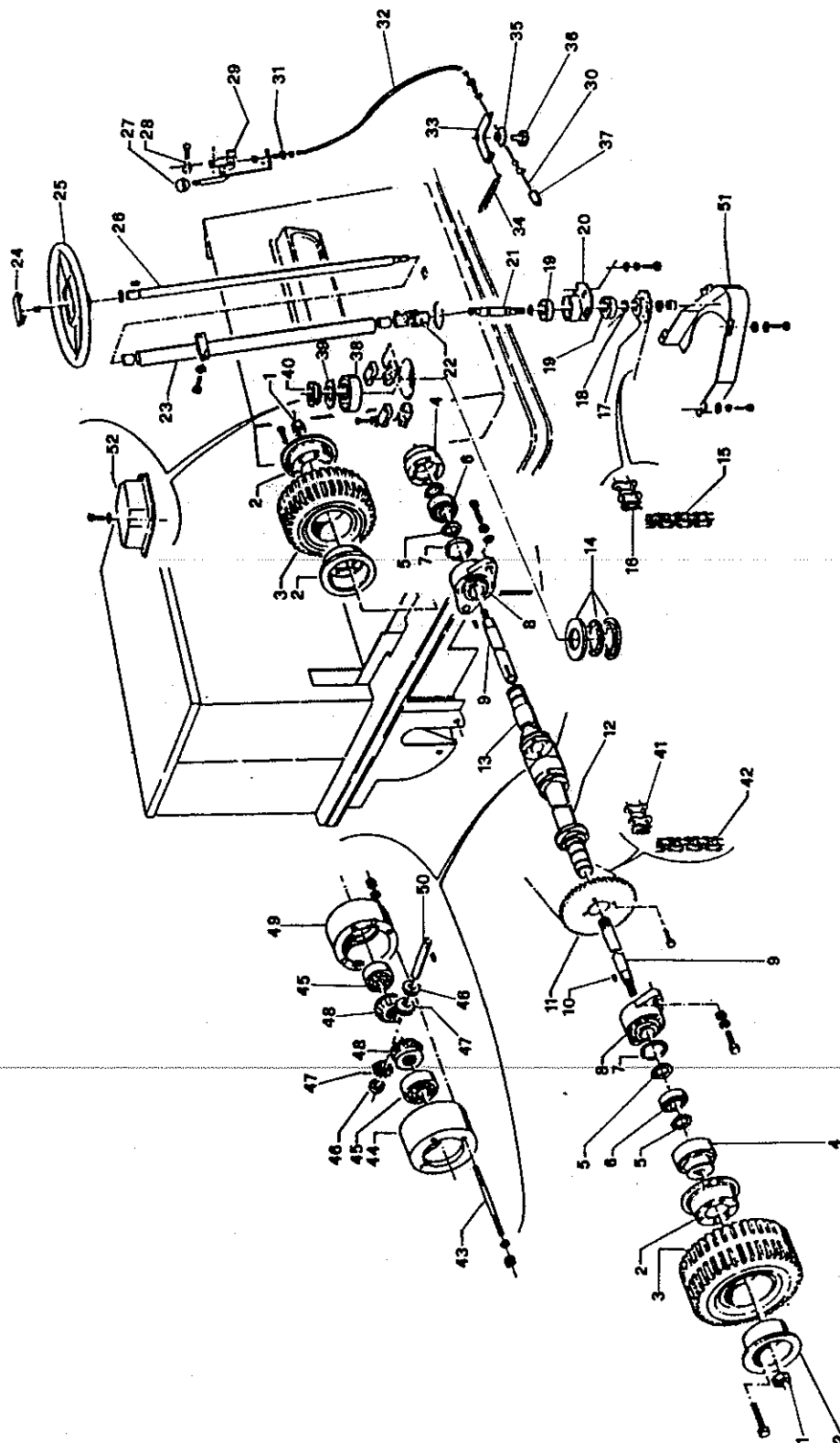


DIAGRAM 4

RS 55

'96/10/8

Ref. N°	Part. N°	Description	Briggs & Stratton Qty	Electric Qty
1	1001186	Nut	2	2
2	1000488	Wheel Rim	4	4
3	1000843	Tire	2	2
4	1000490	Hub - Drive Axle	2	2
5	1001211	Ring	4	4
6	1000793	Bearing	2	2
7	1001206	Ring	2	2
8	1000806	Support	2	2
9	1000513	Axle Shaft	2	2
10	1001225	Key	1	1
11	1000858	Sprocket - Drive Axle	1	1
12	1000550	Tube with Flange - RH	1	1
13	1000551	Tube with Flange - LH	1	1
14	1000794	Bearing	1	1
15	1000856	Chain	1	1
16	1000857	Connector Link - Roller Chain	1	1
17	1000855	Sprocket - Steering Column	1	1
18	1001204	Retainer - Snap Ring	2	2
19	1000787	Bearing	2	2
20	1000303	Support - Steering Column	1	1
21	1000508	Shaft - Lower Steering Column	1	1
22	1001031	U-Joint Steering Column	1	1
23	1000367	Tube - Steering Column	1	1
24	1000677	Cap - Steering Wheel	1	1
25	1000676	Steering Wheel	1	1
26	1000507	Shaft - Upper Steering Column	1	1
27	1000679	Knob	1	1
28	1000991	Clamp	1	1
29	1000304	Handle	1	1
30	1000984	Cable Wire	1	1
31	1000989	Adjuster	1	1
32	1000990	Sheath	1	1
33	1000040	Plate	1	1
34	1000941	Spring	1	1
35	1000409	Bushing	1	1
36	1001177	Screw	1	1
37	1000739	Spacer	1	1
38	1000790	Bearing	1	1
39	1000791	Washer	1	1
40	1000792	Washer	1	1
41	1000860	Master Link	1	-
42	1000859	Chain	1	-
43	1000419	Screw	4	4
44	1000511	Differential Housing	1	1
45	1000790	Bearing	2	2
46	1000430	Washer	2	2
47	1000552	Satellite Gearing	2	2
48	1000553	Planetary Gearing	2	2
49	1000512	Differential Housing	1	1
50	1000051	Pivot	1	1
51	1000622	Chain Guard	1	1

DIAGRAM 5

RS 55

96/10/10

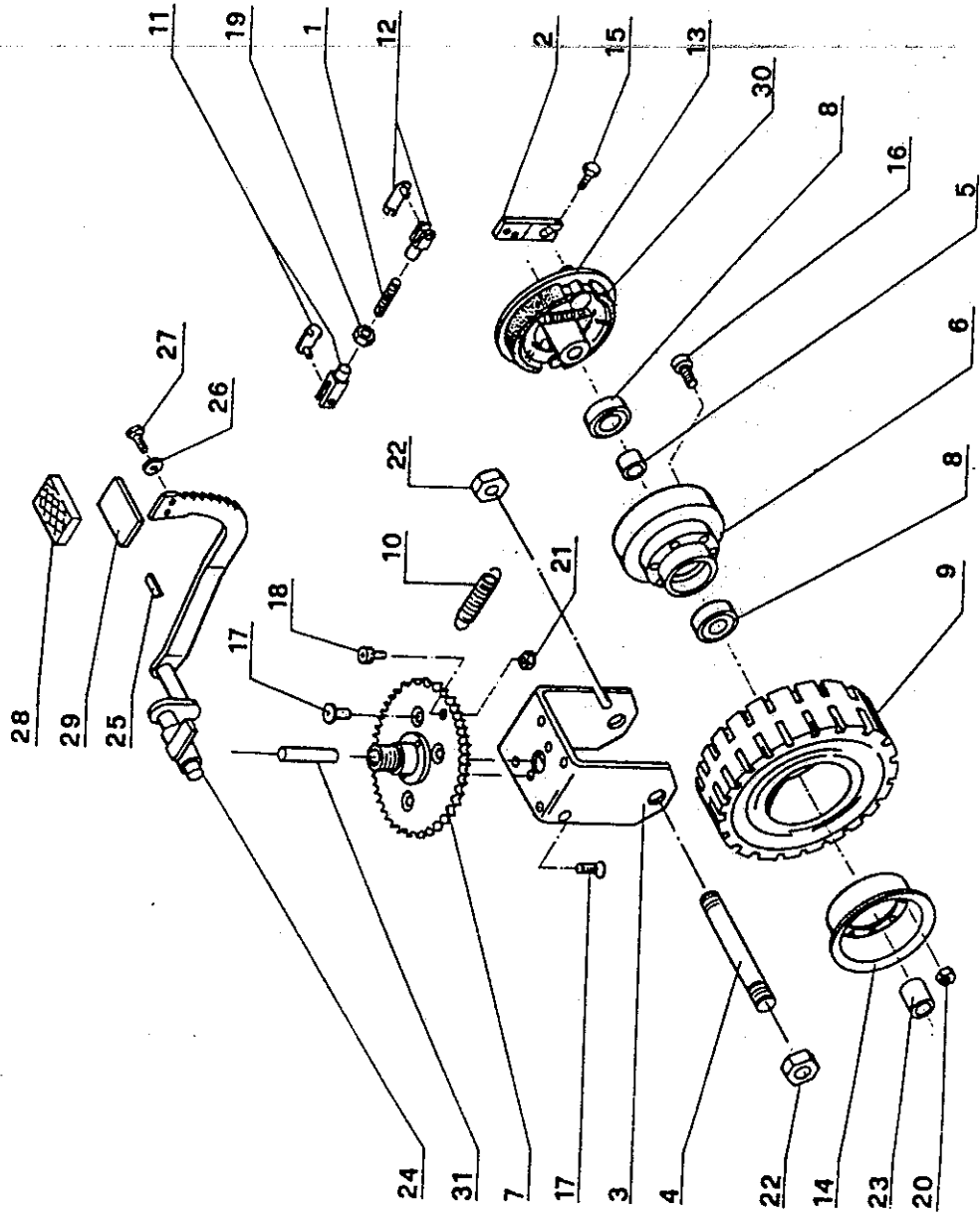


DIAGRAM 5

RS 55

96/10/8

Ref. N°	Part. N°	Description	Briggs & Stratton Qty	Electric Qty
1	1000082	Rod - Brake Adjuster	1	1
2	1000083	Brake Control Lever	1	1
3	1000336	Steering Fork	1	1
4	1000459	Axle Steering Fork	1	1
5	1000460	Spacer - Inner Steering Fork Axle	1	1
6	1000536	Rim with Brake Drum	1	1
7	1000559	Sprocket - Steering Fork	1	1
8	1000800	Bearing	2	2
9	1000848	Tire	1	1
10	1000961	Spring	1	1
11	1001022	Clevis	1	1
12	1001026	Clevis - Brake Rod	1	1
13	1001049	Brake Assy - Complete	1	1
14	1001050	Rim - Outer	1	1
15	1001176	Screw	1	1
16	1001175	Screw	6	6
17	1001179	Screw	6	6
18	1001180	Screw	1	1
19	1001181	Nut	1	1
20	1001182	Nut	6	6
21	1001184	Nut	1	1
22	1001185	Nut	2	2
23	1000408	Spacer	1	1
24	1000337	Brake Pedal Assy	1	1
25	1000765	Rubber	1	1
26	1000291	Washer	2	2
27	1001174	Screw	2	2
28	1000148	Brake - Pedal Cover	1	1
29	1000678	Brake Pedal	1	1
30	1001238	Brake Shoe Set	1	1
31	1000472	Pivot - Steering Fork	1	1

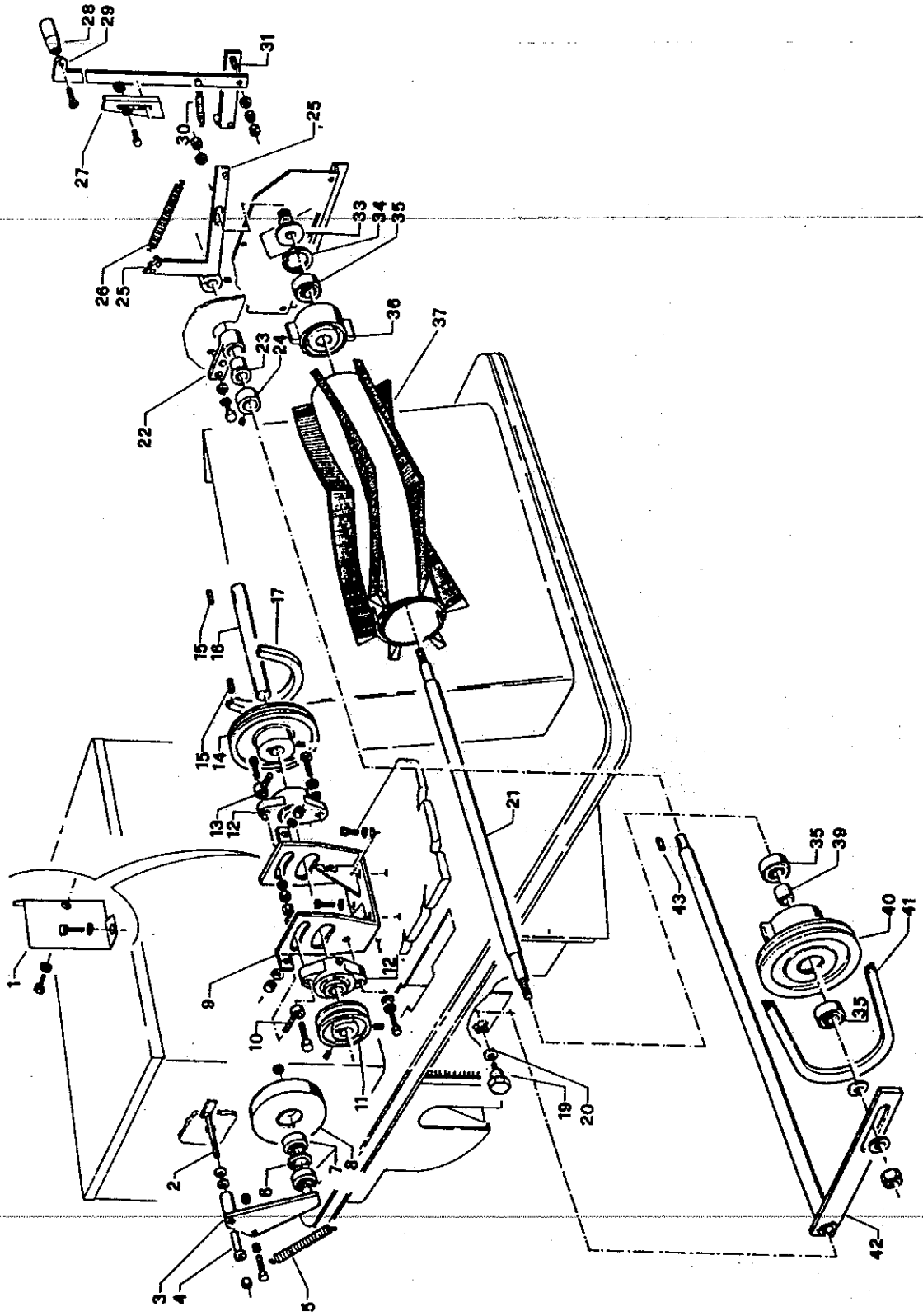


DIAGRAM 6

RS 55

96/10/8

Ref. N°	Part. N°	Description	Briggs & Stratton Qty	Electric Qty
1	1000623	Panel	1	-
2	1000151	Pivot	1	1
3	1000307	Idler Arm - Belt Tensioner	1	1
4	1000411	Bushing	1	1
5	1000951	Spring	1	1
6	1001207	Ring	1	1
7	1000795	Bearing	2	2
8	1000410	Roller	1	1
9	1000150	Mount - Jack Shaft	1	-
10	1000530	Belt Tensioner, Left	1	-
11	1000590	Pulley	1	-
12	1000804	Support	2	-
13	1000531	Belt Tensioner, Right	1	-
14	1000589	Pulley	1	-
15	1001227	Key	2	2
16	1000509	Shaft	1	-
17	1000819	Belt	1	-
19	1000396	Knob	1	1
20	1001191	Washer	1	1
21	1000399	Shaft	1	1
22	1000288	Support	1	1
23	1000606	Bushing	1	1
24	1000485	Bushing - Locking	1	1
25	1000306	Arm	1	1
26	1000948	Spring	1	1
27	1000041	Plate	1	1
28	1000680	Plate Handle	1	1
29	1000149	Lever	1	1
30	1000950	Spring	1	1
31	1000305	Lever	1	1
33	1000398	Spacer	1	1
34	1001201	Retainer - Snap Ring	1	1
35	1000786	Bearing	3	3
36	1000572	Idler	1	1
37	1000917	Main Broom	1	1
39	1000400	Spacer	1	1
40	1000573	Driver - Main Broom	1	1
41	1000833	Belt	1	1
42	1000286	Shaft	1	1

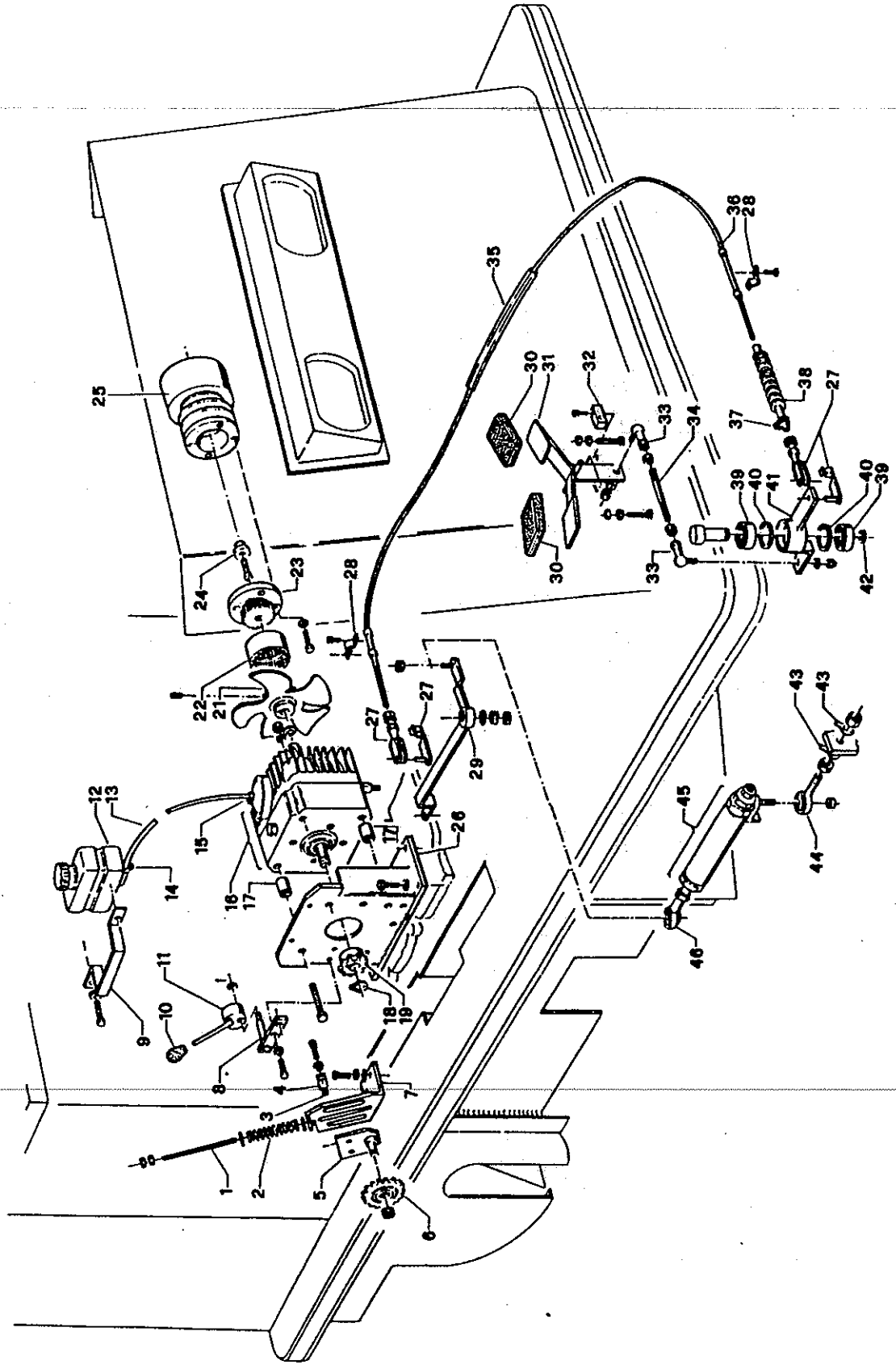


DIAGRAM 7

RS 55

96/10/8

Ref. N°	Part. N°	Description	Briggs & Stratton Qty	Electric Qty
1	1000043	Rod	1	-
2	1000952	Spring	1	-
3	1000433	Spacer	2	-
4	1000042	Plate	1	-
5	1000357	Sprocket - Mount	1	-
6	1000862	Sprocket - Idler	1	-
7	1000353	Support	1	-
8	1000308	Support	1	1
9	1000116	Clamp	1	1
10	1000683	Knob	1	1
11	1000152	Lever	1	1
12	1000681	Oil Tank	1	1
13	1000740	Rubber Hose	1	-
14	1001032	Clamp	1	1
15	1001033	Clamp	1	1
16	1001240	Hydrostatic Drive	1	1
17	1000412	Spacer	4	4
18	1001208	Ring	1	1
19	1000861	Sprocket	1	1
21	1000548	Fan	1	1
22	1000682	Ring	1	1
23	1000549	Flange	1	-
24	1000413	Spacer	1	-
25	1000927	Centrifugal Pulley	1	-
26	1000354	Support	1	1
27	1001036	Fork	2	2
28	1001038	Clamp - Retainer	2	2
29	1000309	Lever	1	1
30	1000678	Brake Pedal	2	2
31	1000153	Pedal	1	1
32	1000046	Plate	2	2
33	1001039	Ball Joint	2	2
34	1000045	Rod-Dir Pedal	1	1
35	1000741	Rubber Hose	1	1
36	1001037	Transmission Cable	1	1
37	1000684	Clamp	1	1
38	1000685	Boot-Dust Cover	1	1
39	1000788	Bearing	2	2
40	1001205	Retainer - Snap Ring	2	2
41	1000310	Lever	1	1
42	1001203	Retainer - Snap Ring	1	1
43	1000044	Bar	2	2
44	1001035	Rod-End	1	1
45	1000869	Kit - Neutral Set Transmission	1	1
46	1001034	Rod End	1	1

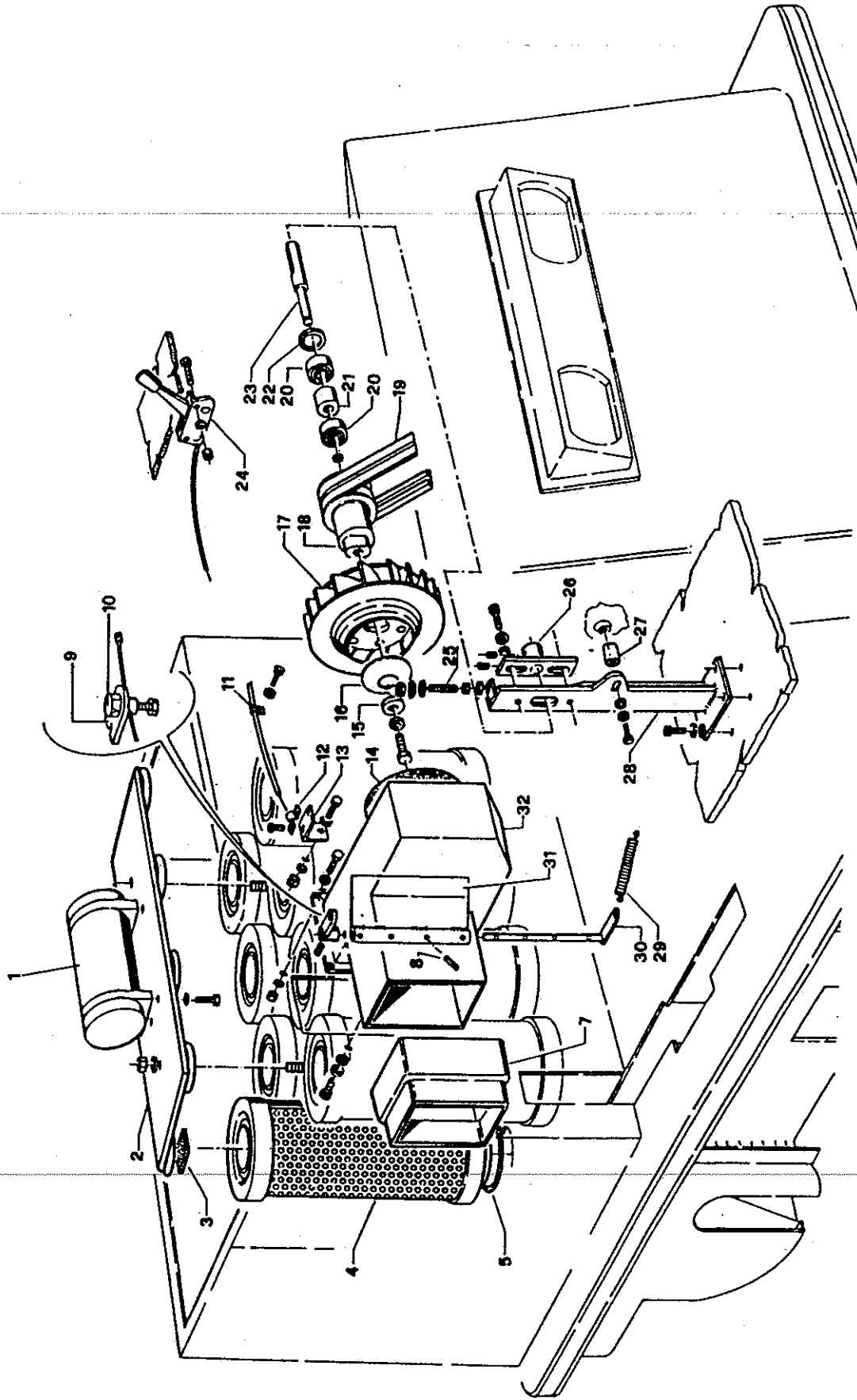


DIAGRAM 8

RS 55

96/10/8

Ref. N°	Part. N°	Description	Briggs & Stratton Qty	Electric Qty
1	1001071	Shaker Motor	1	-
2	1000135	Cover - Filter	1	1
3	1000743	Gasket	8	8
4	1000915	Filter - Dust Control	8	8
5	1000732	Gasket - Filter	8	8
7	1000729	Rubber Ring	1	-
8	1001233	Key - Brush Drive Motor	4	-
9	1000311	Lever	1	-
10	1000991	Clamp	1	-
11	1001106	Clamp	2	-
12	1000048	Clamp	1	-
13	1000047	Mount	1	-
14	1000742	Seal	1	-
15	1000402	Disc	1	-
16	1000609	Fan Plate	1	-
17	1000661	Vacuum Fan	1	-
18	1000501	Pulley	1	-
19	1000820	Belt	2	-
20	1000786	Bearing	2	-
21	1000403	Spacer	1	-
22	1001201	Retainer - Snap Ring	1	-
23	1000502	Shaft	1	-
24	1000973	Control Cable	1	-
25	1000049	Rod-Threaded	1	-
26	1000312	Mount - Belt Adjuster	1	-
27	1000434	Spacer	1	-
28	1000355	Mount	1	-
29	1000941	Spring	1	-
30	1000156	Pivot - Vac Box	1	-
31	1000155	Damper	1	-
32	1000154	Aspiration Box	1	-

DIAGRAM 9

RS 55

96/10/10

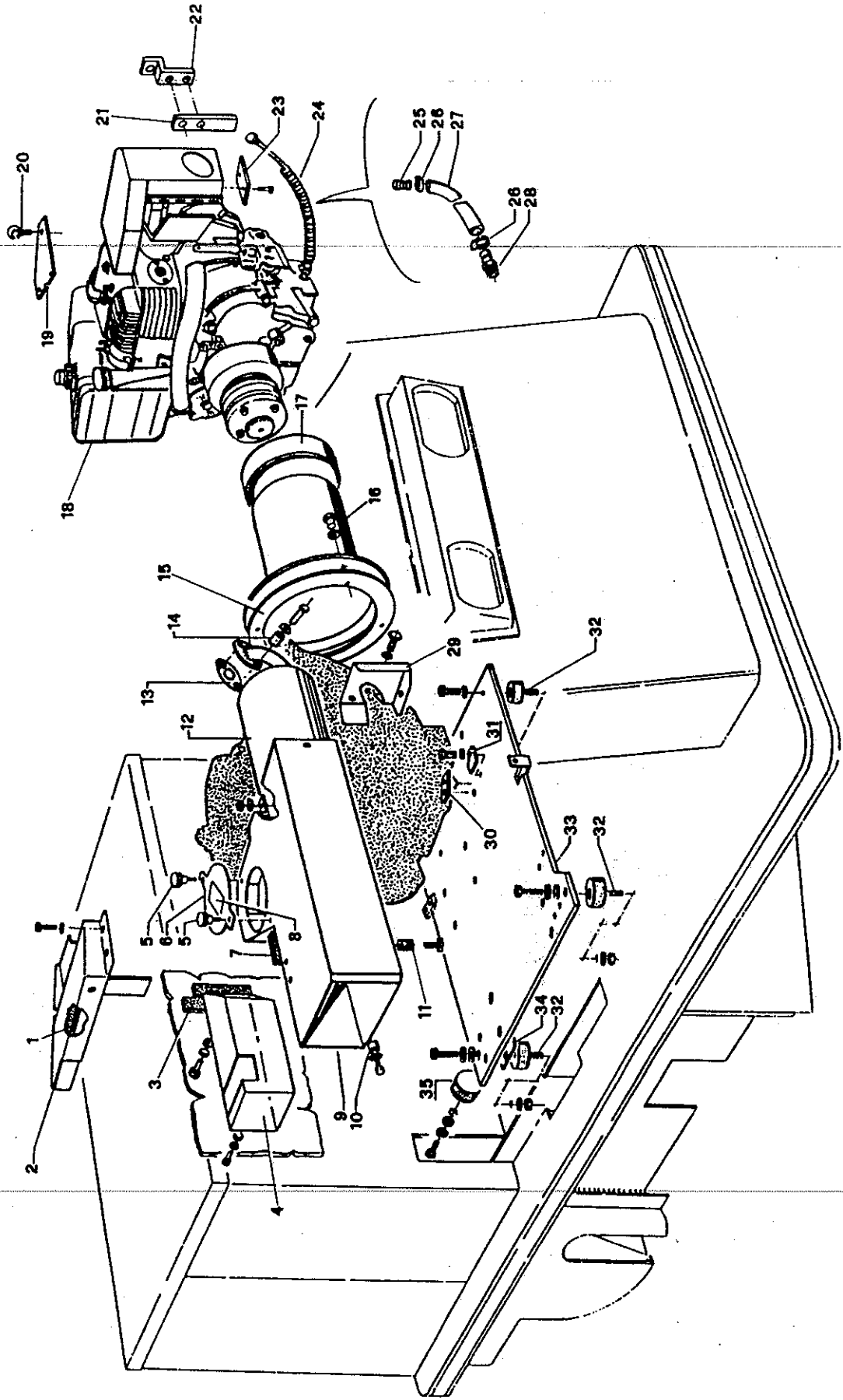


DIAGRAM 9

RS 55

96/10/8

Ref. N°	Part. N°	Description	Briggs & Stratton Qty	Electric Qty
1	1000753	Filter	1	-
2	1000625	Filter Cover	1	-
3	1000754	Seal	1	-
4	1000159	Air Conveyor	1	-
5	1000688	Knob	2	-
6	1000053	Cover	1	-
7	1000755	Sponge	1	-
8	1000889	Decal	1	-
9	1000158	Air Conveyor	1	-
10	1000744	Rubber Ring	2	-
11	1000940	Spring	1	-
12	1000936	Silencer	1	-
13	1000934	Gasket - Exhaust	1	-
14	1000431	Spacer	2	-
15	1000120	Flange	1	-
16	1000624	Air Conveyor	1	-
17	1000747	Rubber Ring	1	-
18	1000938	Engine Briggs & Stratton	1	-
19	1000059	Plate	1	-
20	1000689	Clamp	1	-
21	1000121	Bar	1	-
22	1000270	Mount	1	-
23	1000119	Plate	1	-
24	1000746	Cover	1	-
25	1000414	Rubber Plug	1	-
26	1001016	Clamp	2	-
27	1000745	Oil Drain	1	-
28	1000415	Nipples	1	-
29	1000055	Cover	1	-
30	1000160	Plate	1	-
31	1000052	Bar	2	-
32	1000686	Isolator	4	-
33	1000157	Plate - Engine Mount	1	-
34	1000050	Spacer	1	-
35	1000687	Isolator	1	-

DIAGRAM 10

RS 55

96/10/10

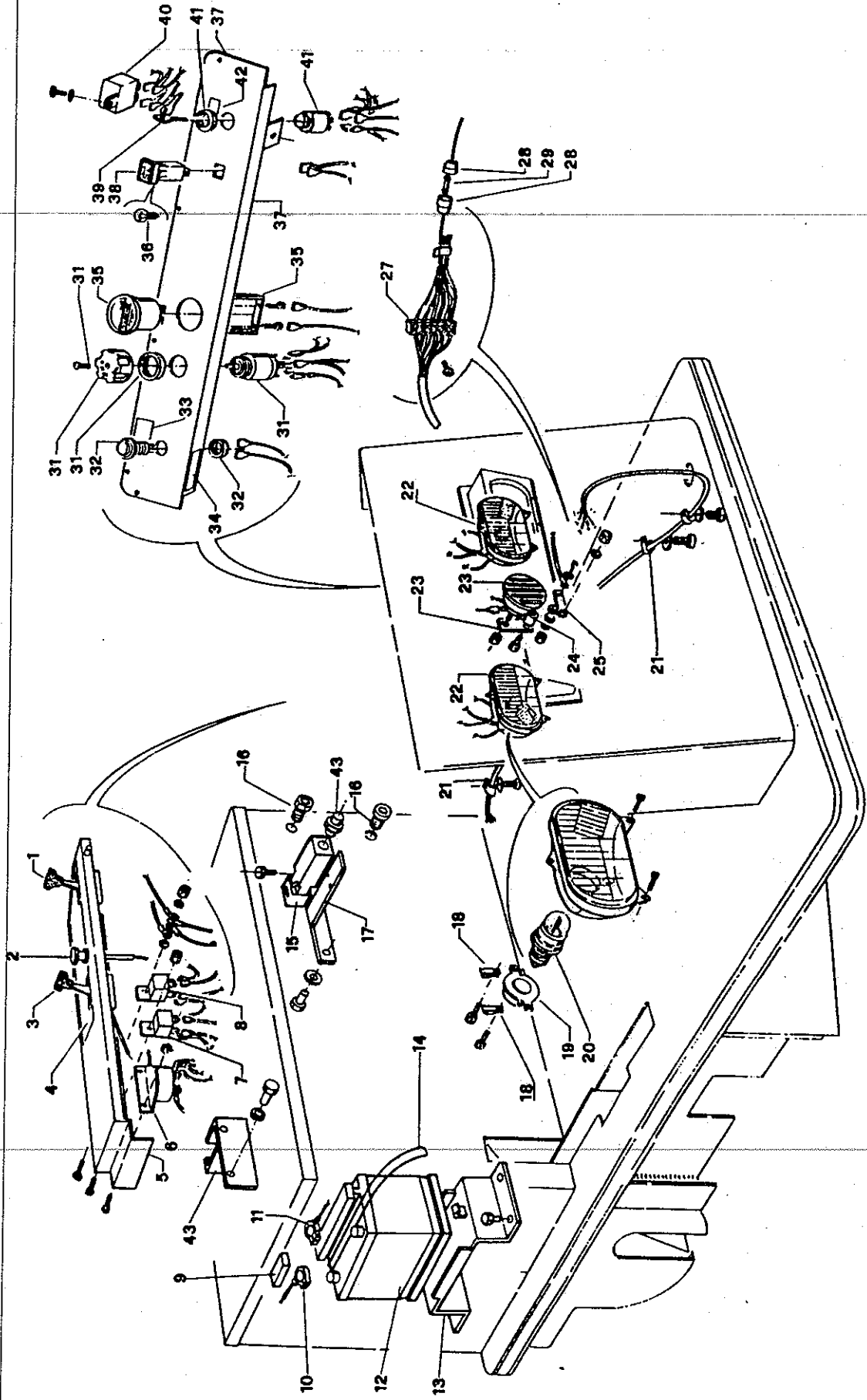


DIAGRAM 10

RS 55

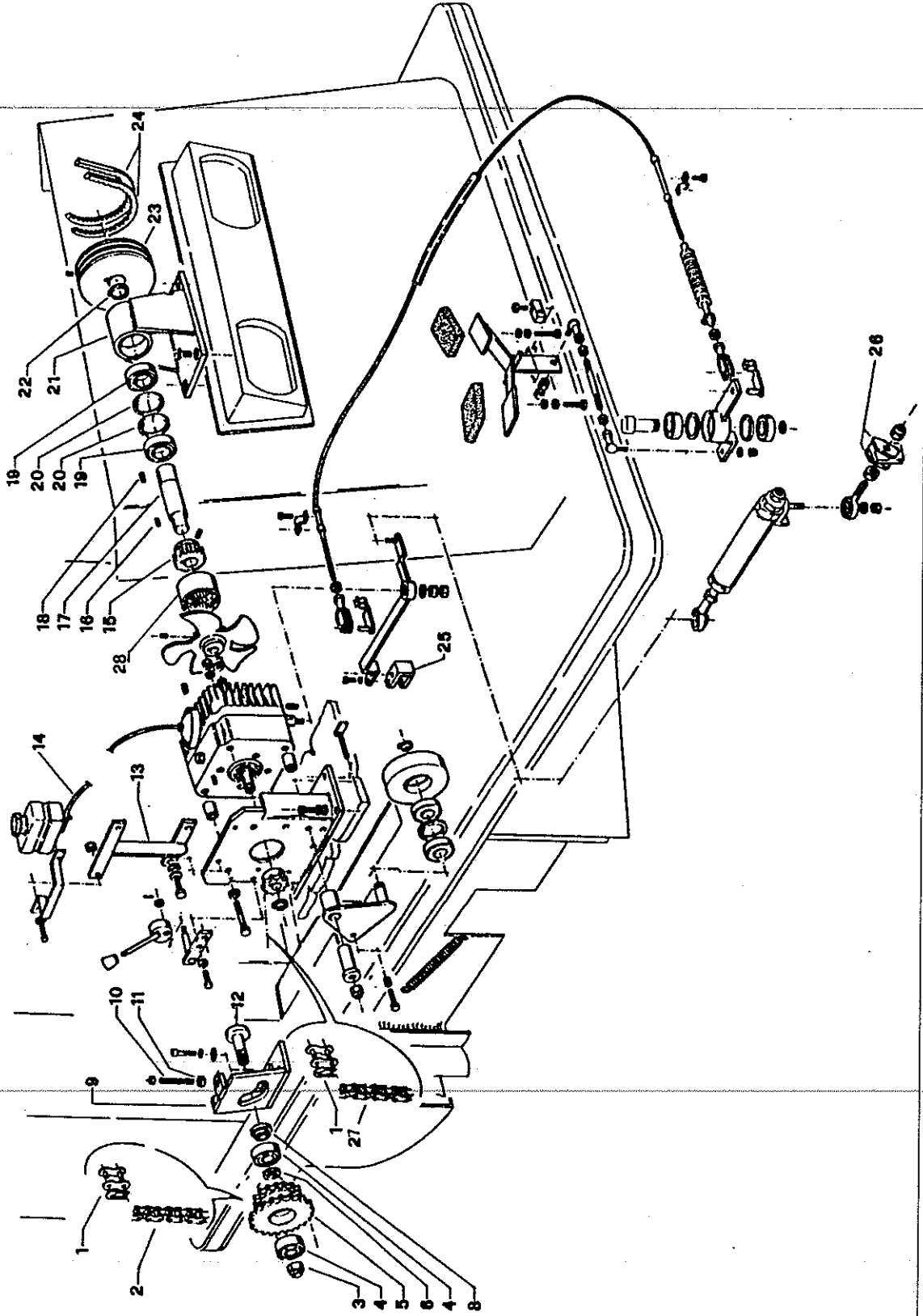
96/10/8

Ref. N°	Part. N°	Description	Briggs & Stratton Qty	Electric Qty
1	1000974	Control Cable	1	-
2	1000975	Control Cable	1	-
3	1000973	Control Cable	1	-
4	1000911	Decal	1	-
5	1000296	Instrument Panel	1	-
6	1001146	Switch - Solenoid	1	-
7	1001148	Microswitch	1	-
8	1001149	Microswitch	1	-
9	1000706	Terminal Cover	1	-
10	1001132	Clamp - Positive	1	-
11	1001133	Clamp - Negative	1	-
12	1001080	Battery	1	-
13	1000264	Battery Tray	1	-
14	1000696	Battery Strap	1	-
15	1001157	Switch - Safety Key	1	-
16	1001094	End Cable	3	-
17	1000112	Mount - Safety Switch	1	-
18	1001040	Clamp	2	-
19	1000080	Lamp Holder	2	-
20	1001165	Bulb	2	-
21	1001107	Clamp	3	-
22	1001168	Headlight	2	-
23	1001097	Horn	1	-
24	1000060	Spacer	1	-
25	1000748	Plate	1	-
27	1001096	Terminal Board	1	-
28	1001117	Fuse Box	1	-
29	1001098	Fuse	1	-
31	1001150	Switch	1	-
32	1001145	Shaker Button	1	-
33	1000891	Decal	1	-
34	1000890	Decal	1	-
35	1001136	Hour Meter	1	-
36	1001163	Bulb	-	-
37	1000144	Instrument Panel	1	-
38	1001158	Generator Warn Light	1	-
39	1001153	Key Set - Ignition	1	-
40	1001149	Microswitch	1	-
41	1001154	Switch - Ignition	1	-
42	1000892	Decal - On/Off	1	-
43	1001094	End Clamp	1	-

DIAGRAM 11

RS 55

96/10/10



POWERBOSS®

DIAGRAM 11

RS 55

96/10/8

Ref. N°	Part. N°	Description	Briggs & Stratton Qty	Electric Qty
1	1000860	Master Link	-	2
2	1000863	Chain	-	1
3	1001187	Nut - Axle	-	1
4	1000797	Bearing	-	2
5	1000533	Sprocket	-	1
6	1000428	Spacer	-	1
8	1000429	Spacer	-	1
9	1000162	Mount	-	1
10	1000057	Rod - Adjuster	-	1
11	1000417	Bushing	-	1
12	1000418	Roller	-	1
13	1000161	Support	-	1
14	1000749	Rubber Hose	-	1
15	1000416	Coupler	-	1
16	1001229	Key	-	1
17	1000510	Shaft	-	1
18	1001228	Key	-	1
19	1000796	Bearing	-	2
20	1001210	Retainer - Snap Ring	-	2
21	1000358	Bearing Mount	-	1
22	1001209	Ring	-	1
23	1000591	Pulley	-	1
24	1000821	Belt	-	2
25	1000170	Fork	-	1

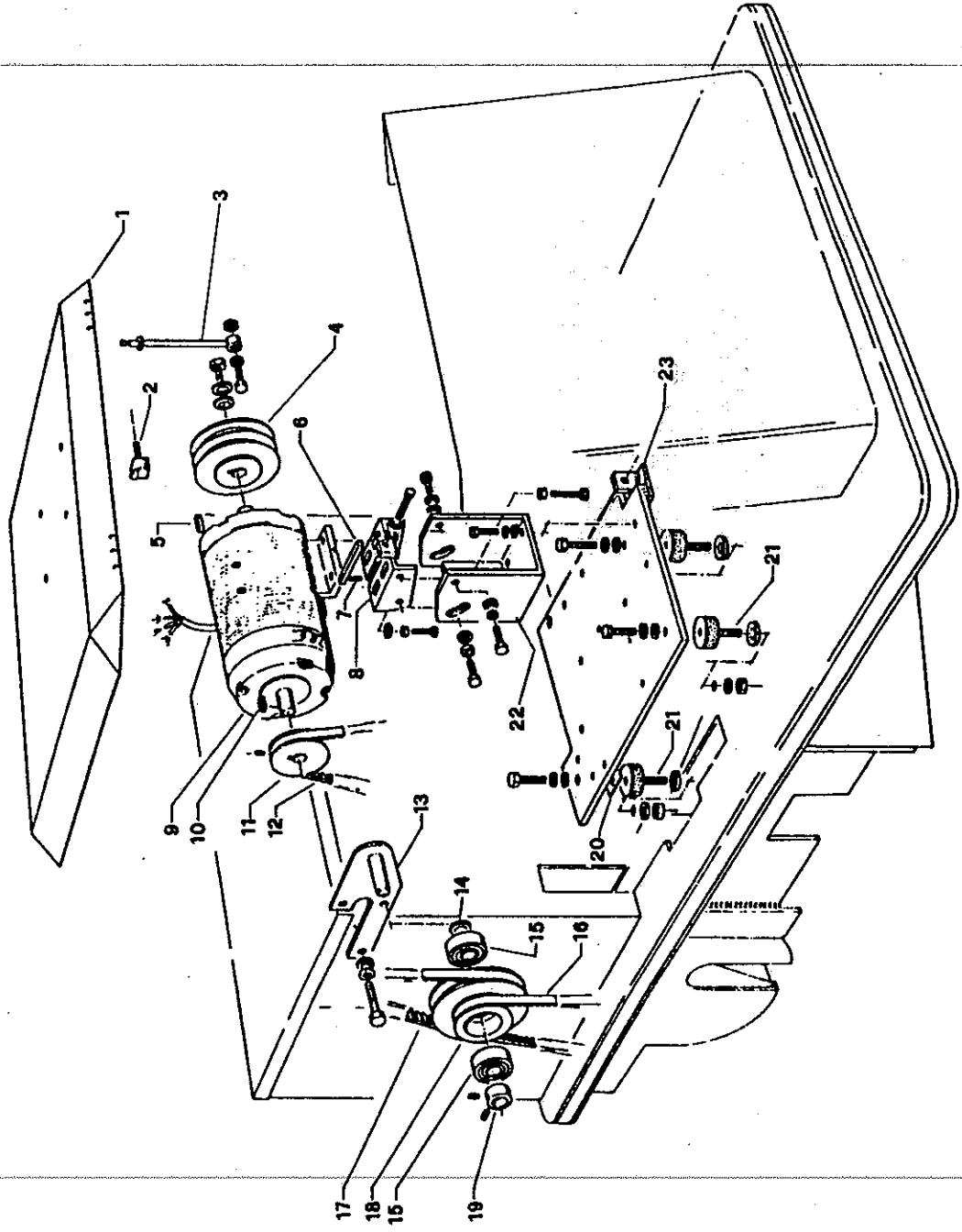


DIAGRAM 12

RS 55

96/10/8

Ref. N°	Part. N°	Description	Briggs & Stratton Qty	Electric Qty
1	1000165	Cover - Motor Compartment	-	1
2	1000166	Stop	-	1
3	1000528	Prop Rod	-	1
4	1000592	Pulley	-	1
5	1001220	Key	-	2
6	1000056	Plate	-	1
7	1001234	Pin	-	1
8	1000356	Bracket - Motor Mount	-	1
9	1001069	Motor - Electric	-	1
10	1001220	Key	-	2
11	1000593	Pulley	-	1
12	1000822	Belt	-	1
13	1000164	Mount	-	1
14	1001192	Washer	-	2
15	1000787	Bearing	-	2
16	1000833	Belt	-	1
17	1000822	Belt	-	1
18	1000594	Pulley	-	1
19	1000489	Locking Bushing	-	1
20	1000050	Spacer	-	1
21	1000690	Isolator	-	4
22	1000177	Mount - Electric Motor	-	1
23	1000163	Bracket - Motor Mount Plate	-	1

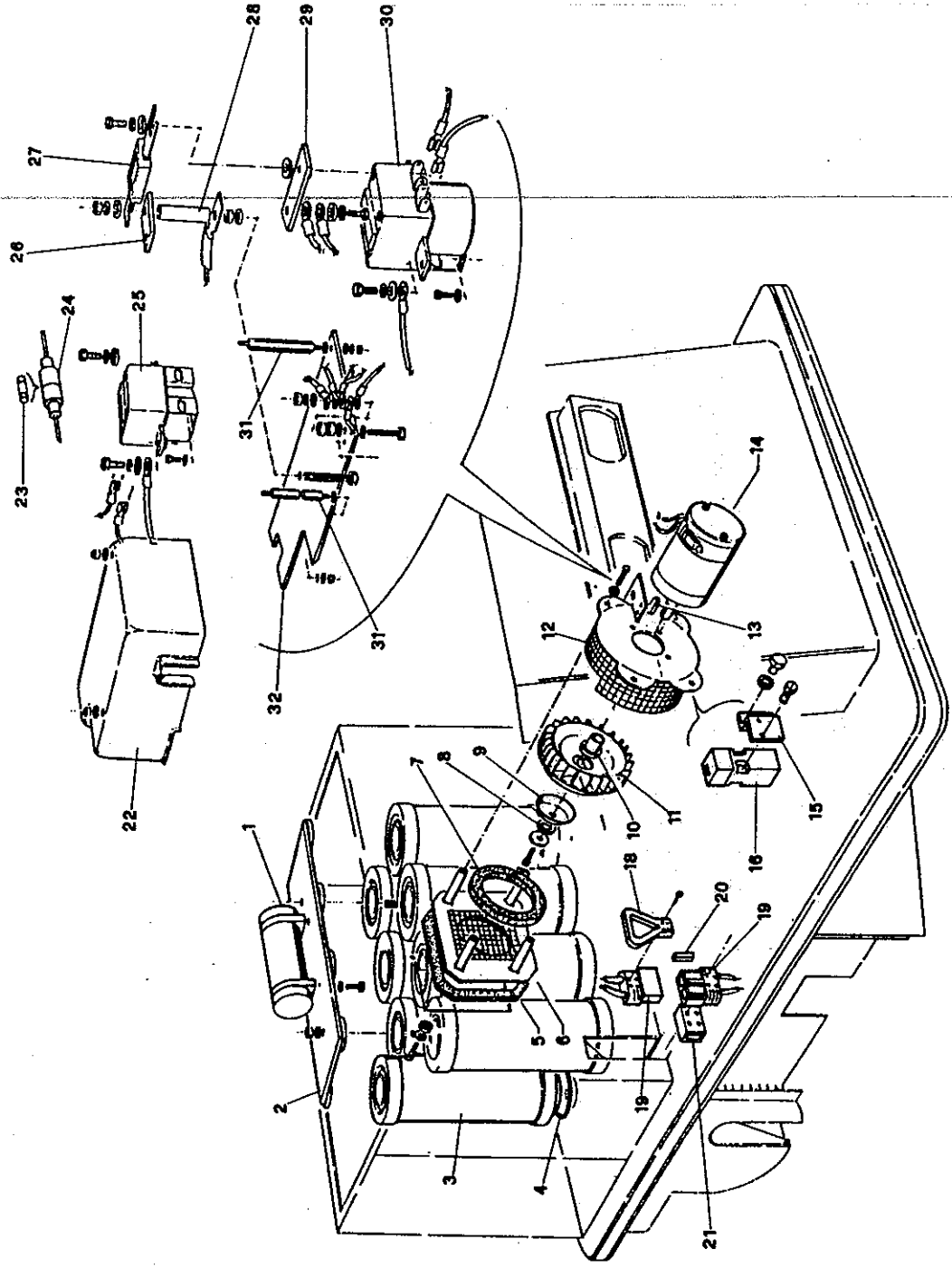


DIAGRAM 13

RS 55

96/10/8

Ref. N°	Part. N°	Description	Briggs & Stratton Qty	Electric Qty
1	1001071	Shaker Motor	-	1
2	1000135	Cover - Filter	1	1
3	1000915	Filter - Dust Control	8	8
4	1000732	Gasket - Filter	8	8
5	1000750	Gasket - Vac Box	-	1
6	1000167	Mount - Vac Fan	-	1
7	1000752	Gasket - Vac Fan	-	1
8	1000382	Washer	-	1
9	1000609	Fan Plate	-	1
10	1000503	Hub	-	1
11	1000661	Vacuum Fan	-	1
12	1000313	Grill - Vac Fan	-	1
13	1001222	Key	-	1
14	1001070	Motor - Vac Fan	-	1
15	1000113	Mount - Safety Switch	-	1
16	1001157	Switch - Safety Key	-	1
18	1001123	Connector - Handle	-	1
19	1001121	Connector - Battery Cable	-	2
20	1001124	Polarizer	-	1
21	1000115	Mount - Battery Connector	-	1
22	1000626	Cover	-	1
23	1001120	Fuse	-	1
24	1001117	Fuse Box	-	1
25	1001151	Relay	-	1
26	1000058	Plate	-	1
27	1001118	Fuse	-	1
28	1000420	Spacer	-	1
29	1000751	Plate	-	1
30	1001152	Relay	-	1
31	1000421	Spacer	-	4
32	1000751	Mount	-	1

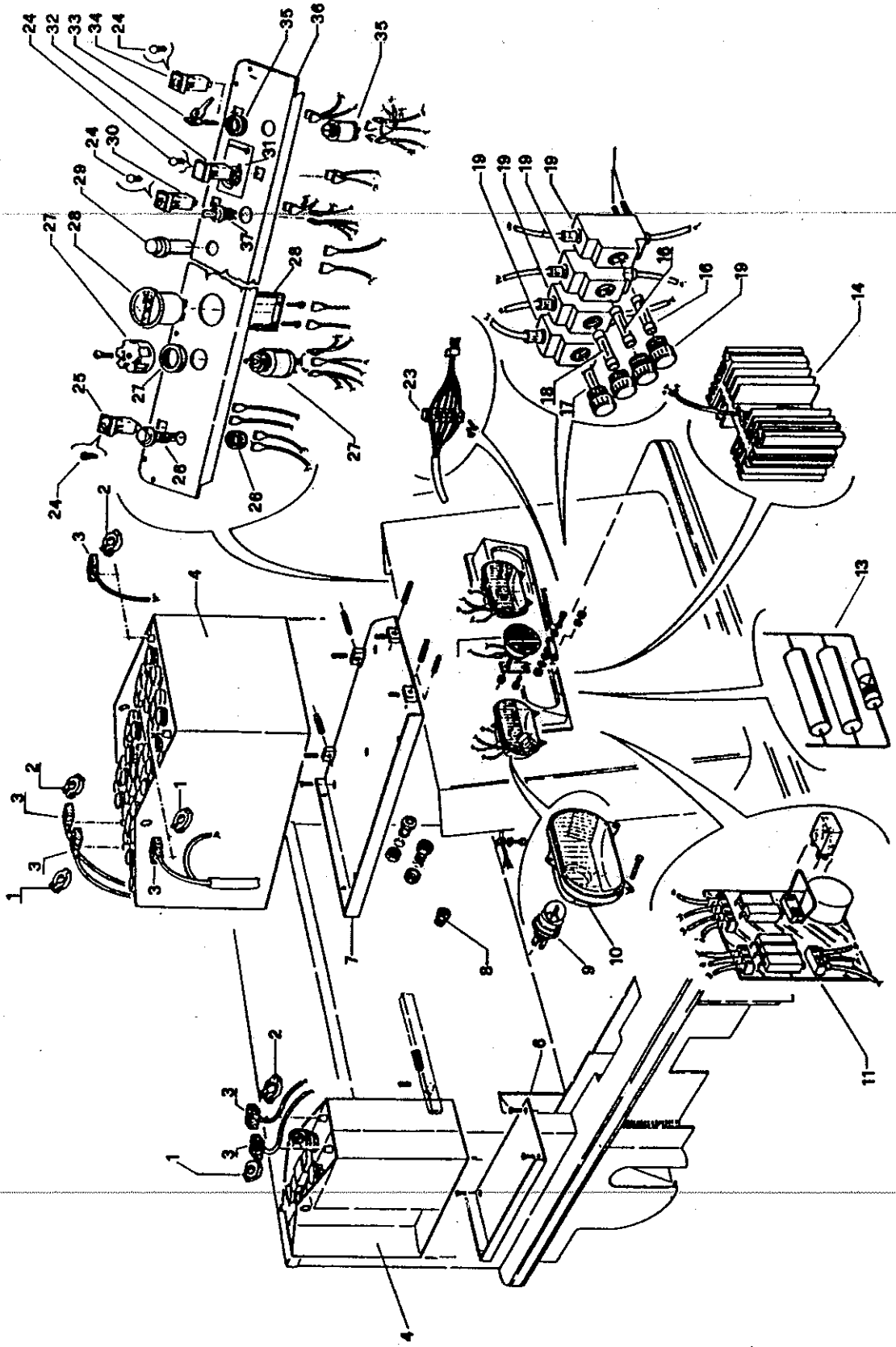


DIAGRAM 14

RS 55

96/10/8

Ref. N°	Part. N°	Description	Briggs & Stratton Qty	Electric Qty
1	1001130	Battery Lead - Positive	-	3
2	1001131	Battery Lead - Negative	-	3
3	1000706	Terminal Cover	-	6
4	1001081	Battery	-	1
6	1000168	Plate	-	1
7	1000169	Battery Tray	-	1
8	1001094	End Clamp	-	3
9	1001166	Bulb	-	2
10	1001168	Headlight	-	2
11	1001138	Alarm Card	-	1
13	1001139	Exciter	-	1
14	1001139	Shaker Switch	-	1
16	1001102	Fuse	-	2
17	1001105	Fuse	-	1
18	1001104	Fuse	-	1
19	1001103	Fuse Cap	-	4
23	1001096	Terminal Board	-	1
24	1001164	Bulb 24V	-	R
25	1001160	Shaker Warning Light	-	1
26	1001145	Shaker Button	-	1
27	1001150	Switch	-	1
28	1001136	Hour Meter	-	1
29	1001143	Battery Charge Indicator	-	1
30	1001162	Vacuum Indicator Light	-	1
31	1000893	Decal	-	1
32	1001167	Warning Light	-	1
33	1001153	Key Set - Ignition	-	1
34	1001161	Main Brush Indicator Light	-	1
35	1001154	Switch - Ignition	-	1
36	1000272	Instrument Panel	-	1
37	1001119	Toggle Switch	-	1

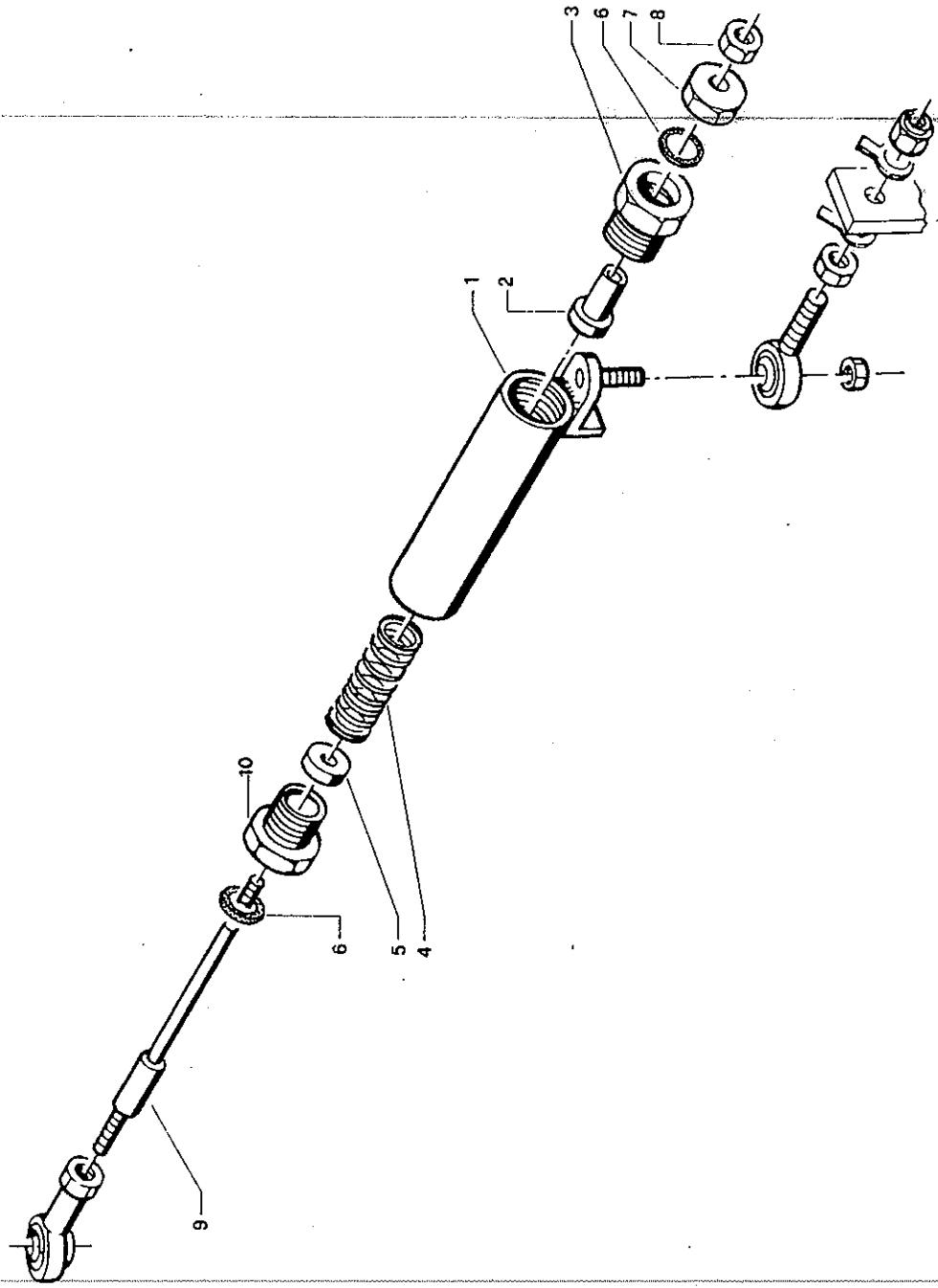


DIAGRAM 15

RS 55

96/10/8

Ref. N°	Part. N°	Description	Briggs & Stratton Qty	Electric Qty
1	1000532	Drive Adjust - Control	1	1
2	1000422	Bushing	1	1
3	1000423	End Cap	1	1
4	1000953	Spring	2	2
5	1000424	Spacer	1	1
6	1000691	Ring	2	2
7	1000425	Nut	1	1
8	1001188	Nut	1	1
9	1000426	Pivot	1	1
10	1000427	End Cap	1	1

WIRING DIAGRAM	
A	Vibrator button
B	Switch
C	Hours counter
D	Battery charge indicator
E	Switch
F	Microswitch
G	Headlight complete
H	Horn
J	Negative pole
K	Headlight complete
L	Fuse 16A
LA	Terminal board
LB	Intermittent lamp 12V
LC	Microswitch
M	Fuse 25A
N	Terminal board
O	Starter
P	Outlet
Q	Generator's outlet
R	Generator's outlet
S	Negative pole
T	Battery
U	Electromagnetic switch
W	Microswitch
V	Microswitch
Y	Vibrator 12 V
Z	Safety switch *

* OPTIONAL

WIRING DIAGRAM	
A	Vibrator button
B	Vibrator light
C	Switch
D	Hours counter
E	Battery charge indicator
F	Vacuum cleaner light
G	Warning light
GA	Vaccum motor
GB	Electric engine
GC	Safety switch
GD	Electomagnetic switch
GE	Electomagnetic switch
GF	Fuse 40a
GG	Fuse 80a
GH	Mobile connector
GK	Connector
GM	Battery
GN	Battery
GP	Electric filter shaker
H	Light
J	Electronic card
K	Switch
L	Vacuum switch
LA	Teminal board
LB	Intermittent lamp 36V
LC	Microswitch
M	Headlight complete
N	Horn
O	Headlight complete
P	Electronic transformer
Q	Fuse 10a
R	Fuse 16a
S	Fuse 2a
T	Fuse 16a
U	Resistance
V	Diode 3a
X	Teminal board
Z	Negative pole